

# R-102™ RESTAURANT FIRE SUPPRESSION SYSTEMS

Data/Specifications



## FEATURES

- Low pH Agent
- Proven Design
- Reliable Cartridge Operated
- Aesthetically Appealing
- UL Listed – Meets Requirements of UL 300
- ULC Listed – Meets Requirements of ULC/ORD-C1254.6
- ▶ ■ CE Marked

## APPLICATION

The ANSUL® R-102™ Restaurant Fire Suppression System is an automatic, pre-engineered, fire suppression system designed to protect the following areas associated with cooking equipment; ventilating equipment including hoods, ducts, plenums, and filters; fryers; griddles and range tops; upright, natural charcoal, or chain-type broilers; electric, lava rock, mesquite or gas-radiant char-broilers and woks.

The system is ideally suitable for use in restaurants, hospitals, nursing homes, hotels, schools, airports, and other similar facilities.

Use of the R-102 system is limited to interior applications only. The regulated release and tank assemblies must be mounted in an area where the air temperature will not fall below 32 °F (0 °C) or exceed 130 °F (54 °C). The system must be designed and installed within the guidelines of the UL/ULC Listed Design, Installation, Recharge, and Maintenance Manual.

## SYSTEM DESCRIPTION

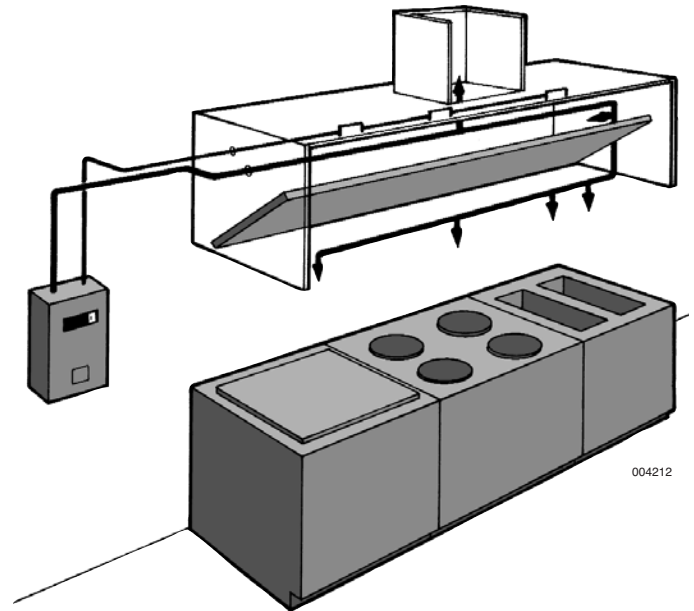
The restaurant fire suppression system is a pre-engineered, wet chemical, cartridge-operated, regulated pressure type with a fixed nozzle agent distribution network. It is listed with Underwriters Laboratories, Inc. (UL/ULC).



004215

The system is capable of automatic detection and actuation and/or remote manual actuation. Additional equipment is available for mechanical or electrical gas line shut-off applications.

The detection portion of the fire suppression system allows for automatic detection by means of specific alloy rated fusible links, which, when the temperature exceeds the rating of the link, the link separates, allowing the regulated release to actuate.



004212

A system owner's guide is available containing basic information pertaining to system operation and maintenance. A detailed technical manual is also available including system description, design, installation, recharge, and maintenance procedures, plus additional equipment installation and resetting instructions.

The system is installed and serviced by authorized distributors that are trained by the manufacturer.

The basic system consists of an ANSUL AUTOMAN® regulated release assembly which includes a regulated release mechanism and a wet chemical storage tank housed within a single enclosure. Nozzle blow-off caps, detectors, cartridges, agent, fusible links, and pulley elbows are supplied in separate packages in the quantities needed for fire suppression system arrangements.

Additional equipment includes remote manual pull station, mechanical and electrical gas valves, pressure switches, and electrical switches for automatic equipment and gas line shut-off. Accessories can be added such as alarms, warning lights, etc., to installations where required.

Tanks can be used in multiple arrangements to allow for larger hazard coverage. Each tank is limited to a listed maximum amount of flow numbers.



004213

## COMPONENT DESCRIPTION

**Wet Chemical Agent** – The extinguishing agent is a mixture of organic salts designed for rapid flame knockdown and foam securement of grease related fires. It is available in plastic containers with instructions for wet chemical handling and usage.

**Agent Tank** – The agent tank is installed in a stainless steel enclosure or wall bracket. The tank is constructed of stainless steel.

Tanks are available in two sizes: 1.5 gallon (5.7 L) and 3.0 gallon (11.4 L). The tanks have a working pressure of 110 psi (7.6 bar), a test pressure of 330 psi (22.8 bar), and a minimum burst pressure of 600 psi (41.4 bar).

The tank includes an adaptor/tube assembly. The adaptor is chrome-plated steel with a 1/4 in. NPT female gas inlet and a 3/8 in. NPT female agent outlet. The adaptor also contains a bursting disc seal which prevents the siphoning of agent up the pipe during extreme temperature variations.

**Regulated Release Mechanism** – The regulated release mechanism is a spring-loaded, mechanical/pneumatic type capable of providing the expellant gas supply to one or two agent tanks, depending on the capacity of the gas cartridge used. It contains a factory installed regulator deadset at 110 psi (7.6 bar) with an external relief of approximately 180 psi (12.4 bar). It has automatic actuation capabilities by a fusible link detection system and remote manual actuation by a mechanical pull station.

The regulated release mechanism contains a release assembly, regulator, expellant gas hose, and agent storage tank housed in a stainless steel enclosure with cover. The enclosure contains knock-outs for 1/2 in. conduit. The cover contains an opening for a visual status indicator.

It is compatible with mechanical gas shut-off devices; or, when equipped with a field or factory-installed switch, it is compatible with electric gas line or appliance shut-off devices.

**Regulated Actuator Assembly** – When more than two agent tanks are required, the regulated actuator is available to provide expellant gas for additional tanks. It is connected to the cartridge receiver outlet of the regulated release mechanism providing simultaneous agent discharge. It contains a regulated actuator deadset at 110 psi (7.6 bar) with an external relief of approximately 180 psi (12.4 bar). It has automatic actuation capabilities by a fusible link detection system and remote manual actuation by a mechanical pull station.

The regulated actuator assembly contains a regulated actuator, regulator, expellant gas hose, and agent tank housed in a stainless steel enclosure with cover. The enclosure contains knockouts to permit installation of the expellant gas line.

**Discharge Nozzles** – Each discharge nozzle is tested and listed with the R-102 system for a specific application. Nozzle tips are stamped with the flow number designation (1/2, 1, 2, and 3). Each nozzle must have a metal or rubber blow-off cap to keep the nozzle tip orifice free of cooking grease build-up.

## APPROVALS

Applicable Standards: ULI listed under EX-3470; ULC listed under CEX-747; meets requirements of NFPA 96 (Standard for the Installation of Equipment for the Removal of Smoke and Grease-Laden Vapors from Commercial Cooking Equipment); NFPA 17A (Standard on Wet Chemical Extinguishing Systems); CE Marked.

## ORDERING INFORMATION

Order all system components through your local authorized ANSUL Distributor.

## SPECIFICATIONS

An ANSUL R-102 Fire Suppression System shall be furnished. The system shall be capable of protecting all hazard areas associated with cooking equipment.

### 1.0 GENERAL

#### 1.1 References

- 1.1.1 Underwriters Laboratories, Inc. (UL)
  - 1.1.1.1 UL Standard 1254
  - 1.1.1.2 UL Standard 300
- 1.1.2 Underwriters Laboratories of Canada (ULC)
  - 1.1.2.1 ULC/ORD-C 1254.6
- 1.1.3 National Fire Protection Association (NFPA)
  - 1.1.3.1 NFPA 96
  - 1.1.3.2 NFPA 17A

#### 1.2 Submittals

- 1.2.1 Submit two sets of manufacturer's data sheets
- 1.2.2 Submit two sets of piping design drawings

#### 1.3 System Description

- 1.3.1 The system shall be an automatic fire suppression system using a wet chemical agent for grease related fires.
- 1.3.2 The system shall be capable of suppressing fires in the following areas associated with cooking equipment: ventilating equipment including hoods, ducts, plenums, and filters; fryers; griddles and range tops; upright, natural charcoal, or chain-type broilers; electric, lava rock, mesquite or gas-radiant char-broilers.
- 1.3.3 The system shall be the pre-engineered type having minimum and maximum guidelines established by the manufacturer and listed by Underwriters Laboratories, Inc. (UL).
- 1.3.4 The system shall be installed and serviced by personnel trained by the manufacturer.
- 1.3.5 The system shall be capable of protecting cooking appliances by utilizing either dedicated appliance protection and/or overlapping appliance protection.

**1.4 Quality Control**

- 1.4.1 **Manufacturer:** The R-102 Restaurant Fire Suppression System shall be manufactured by a company with at least thirty years experience in the design and manufacture of pre-engineered fire suppression systems. The manufacturer shall be ISO 9001 registered.
- 1.4.2 **Certificates:** The wet agent shall be a specially formulated, aqueous solution of organic salts with a pH range between 7.7 – 8.7, designed for flame knock-down and foam securement of grease-related fires.

**1.5 Warranty, Disclaimer, and Limitations**

- 1.5.1 The pre-engineered restaurant fire suppression system components shall be warranted for five years from date of delivery against defects in workmanship and material.

**1.6 Delivery**

- 1.6.1 **Packaging:** All system components shall be securely packaged to provide protection during shipment.

**1.7 Environmental Conditions**

- 1.7.1 The R-102 system shall be capable of operating in a temperature range of 32 °F to 130 °F (0 °C to 54 °C).

**2.0 PRODUCT**

**2.1 Manufacturer**

- 2.1.1 **Ansul Fire Protection,** One Stanton Street, Marinette, Wisconsin 54143-2542, Telephone (715) 735-7411.

**2.2 Components**

- 2.2.1 The basic system shall consist of an ANSUL AUTOMAN regulated release assembly which includes a regulated release mechanism and a wet chemical storage tank housed within a single enclosure. Nozzles, blow-off caps, detectors, cartridges, agent, fusible links, and pulley elbows shall be supplied in separate packages in the quantities needed for fire suppression system arrangements. Additional equipment shall include remote manual pull station, mechanical and electrical gas valves, pressure switches, and electrical switches for automatic equipment and gas line shut-off.
- 2.2.2 **Wet Chemical Agent:** The extinguishing agent shall be a specially formulated, aqueous solution of organic salts with a pH range between 7.8 – 8.2, designed for flame knockdown and foam securement of grease related fires.
- 2.2.3 **Agent Tank:** The agent tank shall be installed in a stainless steel enclosure or wall bracket. The tank shall be constructed of stainless steel. Tanks shall be available in two sizes; 1.5 gallon (5.7 L) and 3.0 gallon (11.4 L). The tanks shall have a working pressure of 110 psi (7.6 bar), a test pressure of 330 psi (22.8 bar), and a minimum burst pressure of 600 psi (41.4 bar). The tank shall include an adaptor/tube assembly containing a burst disc union.
- 2.2.4 **Regulated Release Mechanism:** The regulated release mechanism shall be a spring-loaded, mechanical/pneumatic type capable of providing the expellant gas supply to one or two agent tanks depending on the capacity of the gas cartridge used. It shall contain a factory installed regulator deadset at 110 psi (7.6 bar) with an external relief of approximately 180 psi (12.4 bar).

It shall have the following actuation capabilities: automatic actuation by a fusible link detection system and remote manual actuation by a mechanical pull station.

The regulated release mechanism shall contain a release assembly, regulator, expellant gas hose, and agent storage tank housed in a stainless steel enclosure with cover. The enclosure shall contain knock-outs for 1/2 in. conduit. The cover shall contain an opening for a visual status indicator.

It shall be compatible with mechanical gas shut-off devices; or, when equipped with a field or factory-installed switch, it shall be compatible with electric gas line or appliance shut-off devices.

- 2.2.5 **Regulated Actuator Assembly:** When more than two agent tanks are required, the regulated actuator shall be available to provide expellant gas for additional tanks. It shall be connected to the cartridge receiver outlet of the regulated release mechanism providing simultaneous agent discharge. The regulator shall be deadset at 110 psi (7.6 bar) with an external relief of approximately 180 psi (12.4 bar). The regulated actuator assembly shall contain a regulated actuator, regulator, expellant gas hose, and agent tank housed in a stainless steel enclosure with cover. The enclosure shall contain knockouts to permit installation of the expellant gas line.
- 2.2.6 **Discharge Nozzles:** Each discharge nozzle shall be tested and listed with the R-102 system for a specific application. Nozzles tips shall be stamped with the flow number designation (1/2, 1, 2, and 3). Each nozzle shall have a metal or rubber blow-off cap to keep the nozzle tip orifice free of cooking grease build-up.
- 2.2.7 **Distribution Piping:** Distribution piping shall be Schedule 40 black iron, chrome-plated, or stainless steel pipe conforming to ASTM A120, A53, or A106.
- 2.2.8 **Detectors:** The detectors shall be the fusible link style designed to separate at a specific temperature.
- 2.2.9 **Cartridges:** The cartridge shall be a sealed steel pressure vessel containing either carbon dioxide or nitrogen gas. The cartridge seal shall be designed to be punctured by the releasing device supplying the required pressure to expel wet chemical agent from the storage tank.

**3.0 IMPLEMENTATION**

**3.1 Installation**

- 3.1.1 The R-102 fire suppression system shall be designed, installed, inspected, maintained, and recharged in accordance with the manufacturer's listed instruction manual.

**3.2 Training**

- 3.2.1 Training shall be conducted by representatives of the manufacturer.

ANSUL, ANSUL AUTOMAN, and R-102 are trademarks of Ansul Incorporated or its affiliates.



Ansul Incorporated  
Marinette, WI 54143-2542

715-735-7411  
[www.ansul.com](http://www.ansul.com)

Copyright ©2008 Ansul Incorporated  
Form No. F-2004004-4