

Installation, Operation and Maintenance Manual

Please read and save these instructions for future reference. Read carefully before attempting to assemble, install, operate or maintain the product described. Protect yourself and others by observing all safety information. Failure to comply with instructions could result in personal injury and/or property damage!

WARNING

Disconnect power and observe proper lockout tagout procedures per OSHA Regulation, Title 29 Code of Federal Regulations Part 1910.147 & 1910.333.

NOTE

If fan is connected to electrical source via rigid connection, a qualified electrician will need to change the rigid connection to a flexible connection long enough per local electrical codes to allow for fan movement.

PARTS LIST

Qty	Description	Part #
2	Latch Catch	758743
2	Latch	453116
2	5/16 inch-18 x .75 weld stud	415160
2	5/16 inch-18 nut	415456
4	#12-14X.75 self-drilling screw	415215

Note: Hinged Curb Latch Kit can be applied to sidewall and roof mounted upblast fans.

Installation

1. Locate latch catch, 5/16 inch-18 x .75 weld stud and 5/16 inch-18 nut. Place latch catch on the inside of the fan curb cap and align top-most hole of the latch catch with the pre-punched hole on the curb cap. See Figure 1.
2. Insert 5/16 inch-18 x .75 weld stud through the latch catch and fan curb cap hole.
3. Ensure latch catch is perpendicular to curb cap, install and fully tighten 5/16 inch-18 nut.
4. Repeat steps 1 through 3 with second latch catch.

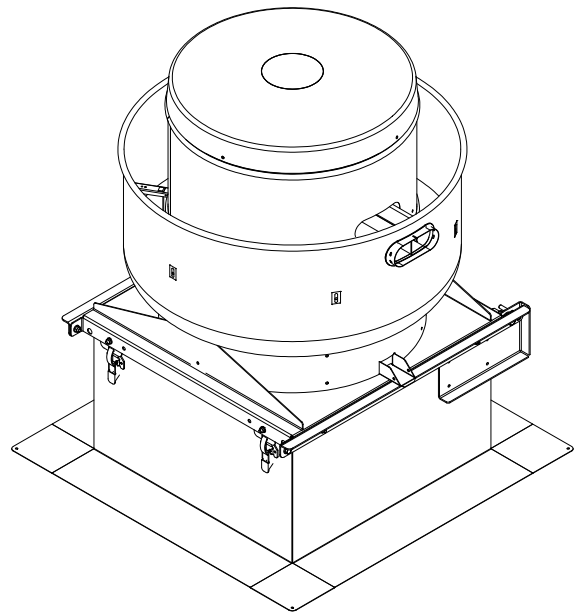
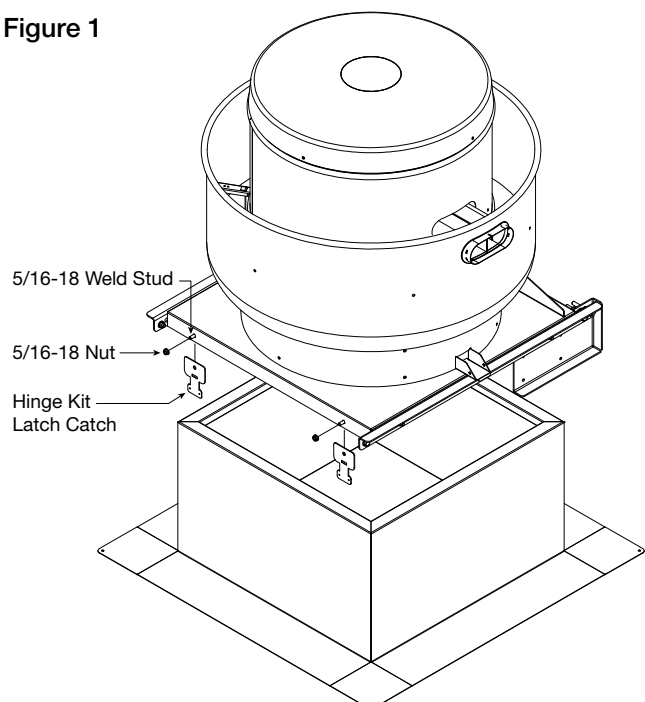


Figure 1



5. On lower tab of the latch catch, use two 1/8 inch holes to pilot drill into the roof curb. See Figure 2.
6. When pilot holes are drilled, bend the lower tab back and forth until it breaks free. Discard lower tab.
7. Place latch over the pilot holes and secure to the curb with self-drilling screws through the pre-drilled pilot holes. See Figure 3.

Figure 2

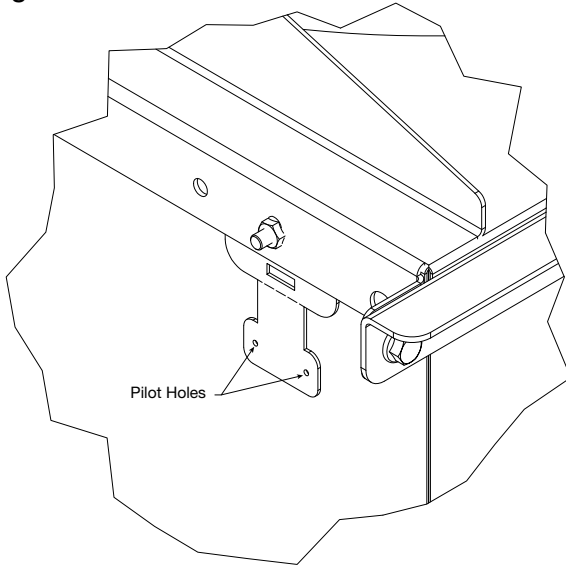
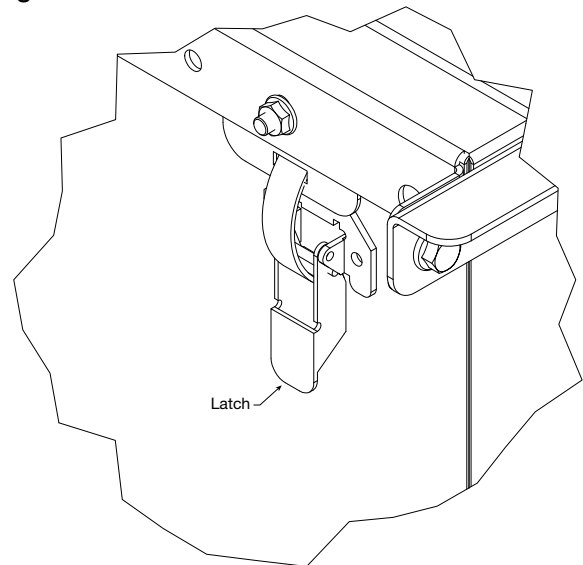


Figure 3



Our Commitment

As a result of our commitment to continuous improvement, Accurex reserves the right to change specifications without notice.

Specific Accurex product warranties are located on accurex.com within the product area tabs and in the Library under Warranties.



P.O. Box 410 Schofield, WI 54476
Phone: 800.333.1400 • Fax: 715.241.6191
Parts: 800.355.5354 • www.accurex.com