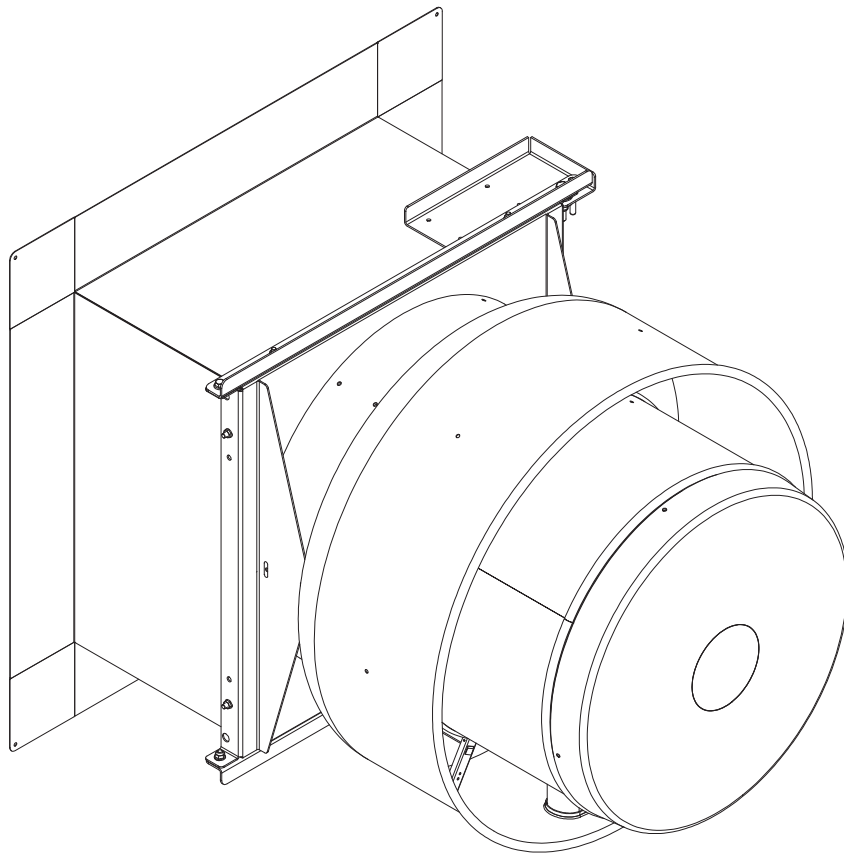


Installation, Operation and Maintenance Manual

Please read and save these instructions for future reference. Read carefully before attempting to assemble, install, operate or maintain the product described. Protect yourself and others by observing all safety information. Failure to comply with instructions could result in personal injury and/or property damage!



WARNING

Disconnect power and observe proper lockout tagout procedures per OSHA Regulation, Title 29 Code of Federal Regulations Part 1910.147 & 1910.333.

NOTE

If fan is connected to electrical source via rigid connection, a qualified electrician will need to change the rigid connection to a flexible connection long enough per local electrical codes to allow for fan movement.

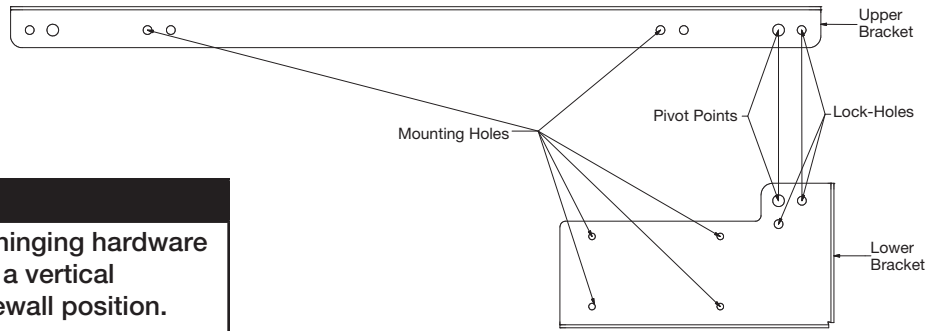
PARTS LIST

Qty	Description	Part #
2	1/2 inch-13 x 2.5 bolt	415273
8	0.109 x .562 x 1.375 flat washer	415080
2	1/2 inch-13 nylock nut	415269
8	5/16 inch-18 x .75 weld stud	415160
8	5/16 inch-18 nut	415456
2	3/8 inch-16 x 2.5 bolt	415504
2	3/8 inch-16 x 0.75 bolt	415459
2	3/8 inch-16 serrated flange nut	415457
2	3/8 inch-16 nylock nut	415239

Installation

1. Locate four hinge brackets, two upper brackets without shoulder, two lower brackets with pivot shoulder and two triangular shaped curb cap braces. See Figure 1 & 2.

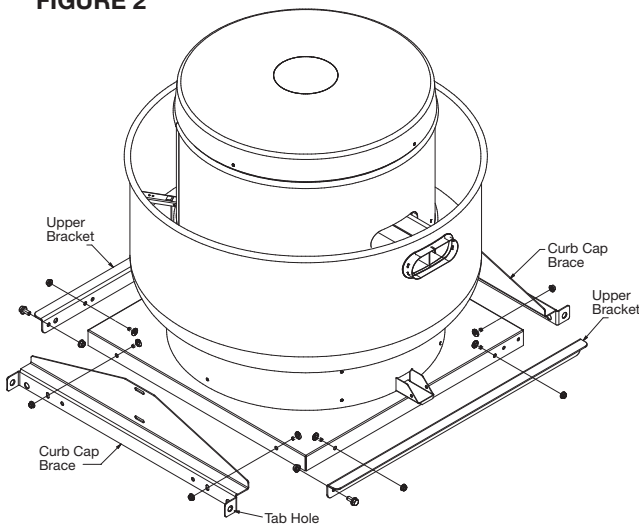
FIGURE 1



NOTE
It is recommended that sidewall hinging hardware is installed to the fan and curb in a vertical position before orienting in a sidewall position. This will ensure proper alignment.

2. It is required that the hinges be oriented in a manner that places the grease trough and motor compartment breather tube facing downward to prevent rain water intrusion. Orient curb cap braces parallel to the grease trough and upper brackets perpendicular to the curb cap braces. See Figure 2.

FIGURE 2



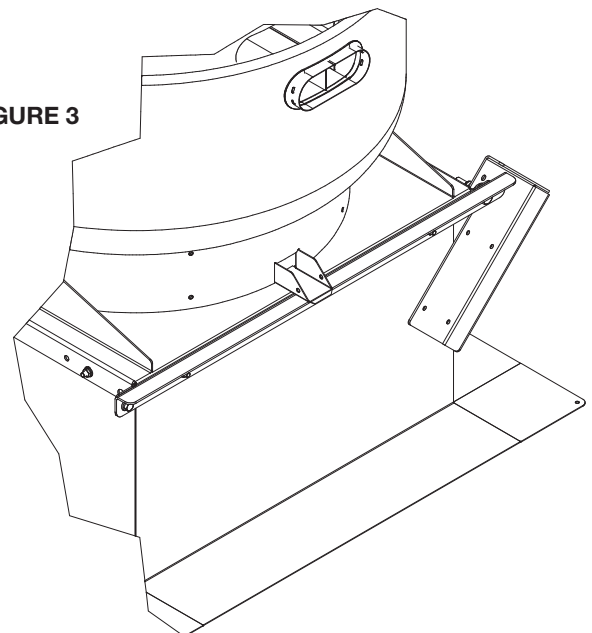
3. Attach curb cap braces by removing two bolts from the fan's vertical supports. Center curb cap brace over curb cap and attach with two vertical support bolts and two (2) supplied 5/16-18 weld studs w/ 5/16-18 serrated flange lock nuts. Repeat this step for the other side of fan.

4. Determine which side of fan will be hinged. Opposite of the hinged side, align pivot point of upper bracket with the tab hole of the curb cap brace and install 3/8-16 bolt and nut. Along the curb cap install two (2) 5/16-18 weld studs and lock nuts. Repeat this step on the opposite side of the fan.
5. Center fan curb cap on curb. Ensure there is equal space between curb and curb cap on all sides.

NOTE
For sidewall hinging applications it is recommended that curbs are maximum of 1/2 inch smaller than fan curb cap size.

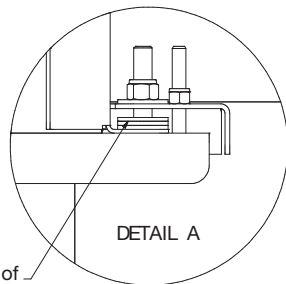
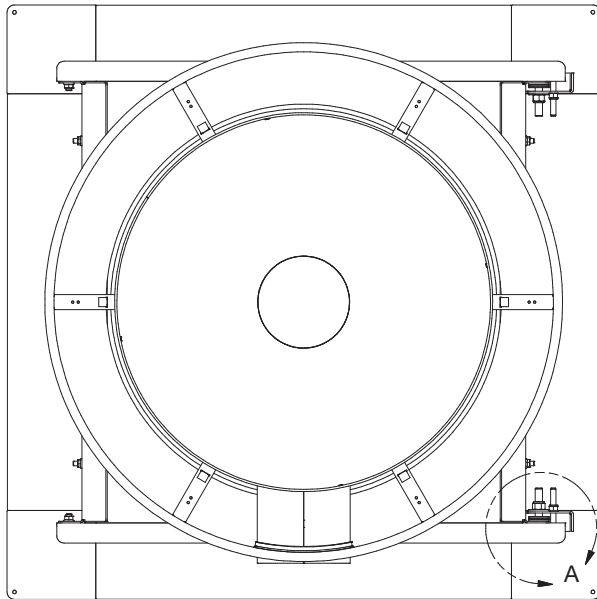
6. On the side chosen for hinging, insert a 1/2 inch-13 x 2.5 bolt through the upper bracket pivot hole, curb cap brace and lower curb cap bracket. Install minimum of one washer between the lower curb cap bracket and curb cap brace. Number of washers needed will depend on curb under-sizing. Install an additional washer between nylock nut and lower hinge bracket. See Figures 3 & 4, Detail A.

FIGURE 3



- Install the 1/2 inch-13 nylock nut on the 1/2 inch-13 x 2.5 bolt until finger tight. See Figure 4, and Detail A.

FIGURE 4



Number of washers needed will depend on curb under-sizing.

- Repeat steps 5 through 7 for mounting lower bracket on the opposite side.
- Position the top and bottom brackets parallel to one another. Mark location of mounting holes on the roof curb.
- Install curb through wall. Follow curb manufacturer installation instructions.
- Secure lower brackets to roof curb utilizing mounting holes. It is up to the discretion of the installer to determine the appropriate fasteners to be used for safe securement of the lower brackets.
- With upper and lower brackets securely fastened to the fan and roof curb, tighten 1/2 inch-13 nylock nut until all washers are snug and there are no gaps between washers and brackets. Do not over tighten to allow hinge to rotate easily.

- To lock hinge in closed position, insert 3/8 inch-16 x 2.5 lock bolt in lock-hole position on both sides shown in Figure 5. Apply and tighten 3/8 inch-16 nylock nuts to both lock bolts.

FIGURE 5

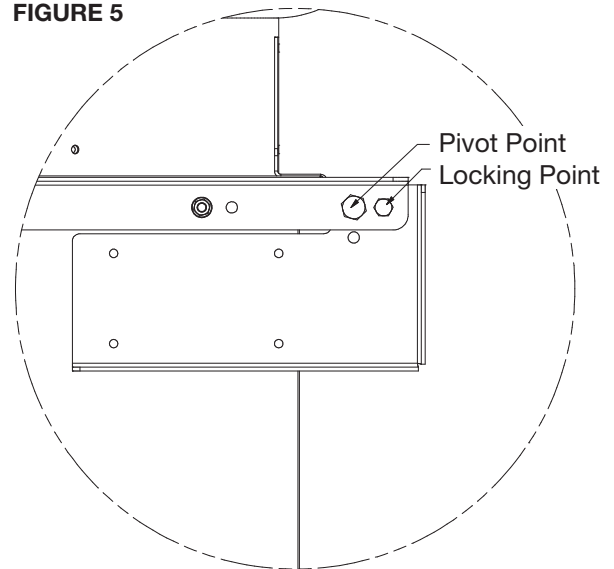
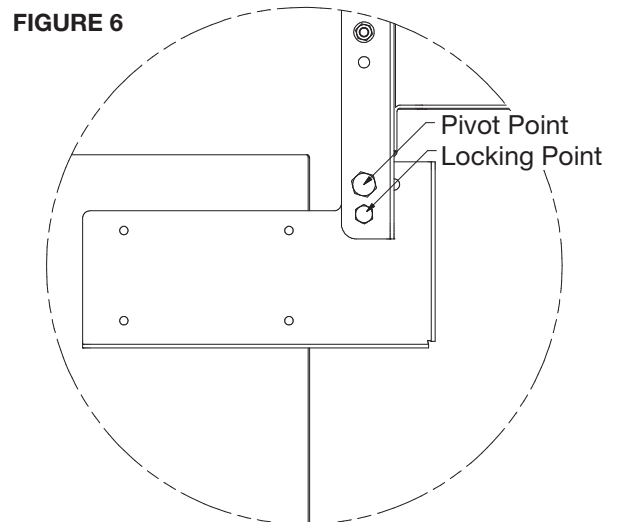


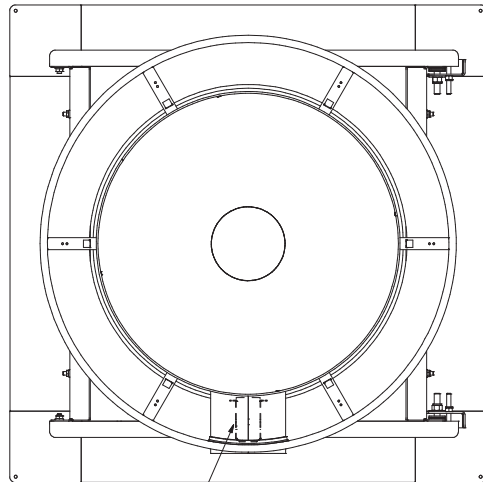
FIGURE 6



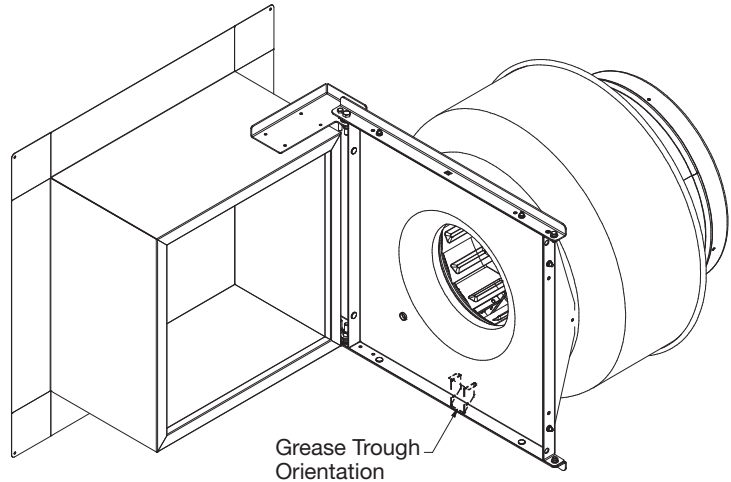
- To lock hinge in hold-open position, rotate fan open until upper bracket lock-hole aligns with lower bracket lock-hole and insert 3/8 inch-16 x 2.5 lock bolt and nylock nut on both sides for safe securement. See Figure 6.



Final assembly view with hinge in hold open position.



Grease Trough
Orientation



Grease Trough
Orientation

WARNING

When hinging fan open, lock bolts must be inserted in the lock-hole positions and secured to prevent sudden closure.

CAUTION

Forcible hinging of fan may result in damage to the fan curb cap. Take caution when hinging fan.

Our Commitment

As a result of our commitment to continuous improvement, Accurex reserves the right to change specifications without notice.

Specific Accurex product warranties are located on accurex.com within the product area tabs and in the Library under Warranties.



P.O. Box 410 Schofield, WI 54476
Phone: 800.333.1400 • Fax: 715.241.6191
Parts: 800.355.5354 • www.accurex.com