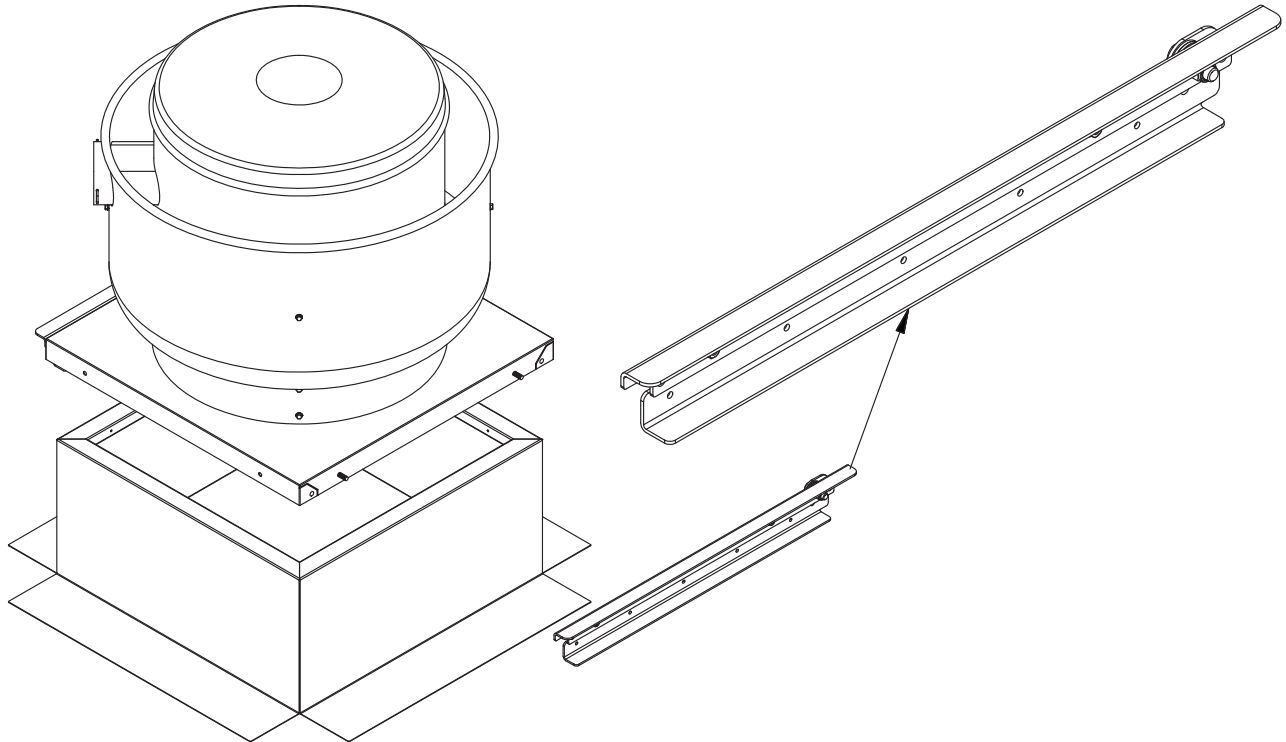


Installation, Operation and Maintenance Manual

Please read and save these instructions for future reference. Read carefully before attempting to assemble, install, operate or maintain the product described. Protect yourself and others by observing all safety information. Failure to comply with instructions could result in personal injury and/or property damage!



WARNING

Disconnect power and observe proper lockout tagout procedures per OSHA Regulation, Title 29 Code of Federal Regulations Part 1910.147 & 1910.333.

NOTE

If fan is connected to electrical source via rigid connection, a qualified electrician will need to change the rigid connection to a flexible connection long enough per local electrical codes to allow for fan movement.

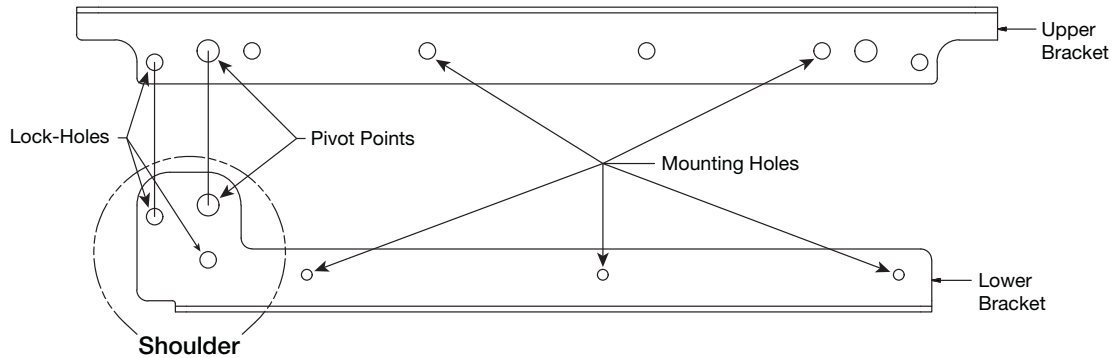
PARTS LIST

| Qty | Description | Part # |
|-----|----------------------------------|--------|
| 2 | 1/2 inch-13 x 2.5 bolt | 415273 |
| 14 | 0.109 x .562 x 1.375 flat washer | 415080 |
| 2 | 1/2 inch-13 nylock nut | 415269 |
| 4 | 5/16 inch-18 x .75 weld stud | 415160 |
| 4 | 5/16 inch-18 nut | 415456 |
| 2 | 3/8 inch-16 x 2.5 bolt | 415504 |
| 2 | 3/8 inch-16 nylock nut | 415239 |

Installation

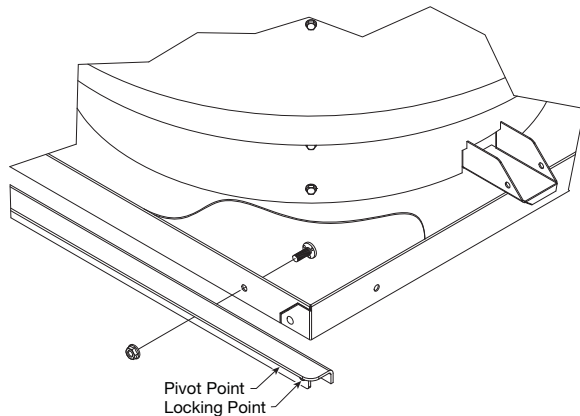
1. Locate four hinge brackets, two upper brackets without shoulder and two lower brackets with shoulder. See Figure 1.

FIGURE 1



2. It is recommended that the hinges be oriented in a manner that allows the grease to be drained in the grease trap when hinged. Orient upper bracket on the curb cap so that the pivot point is towards the grease trough to allow for proper drainage. See Figure 2.

FIGURE 2

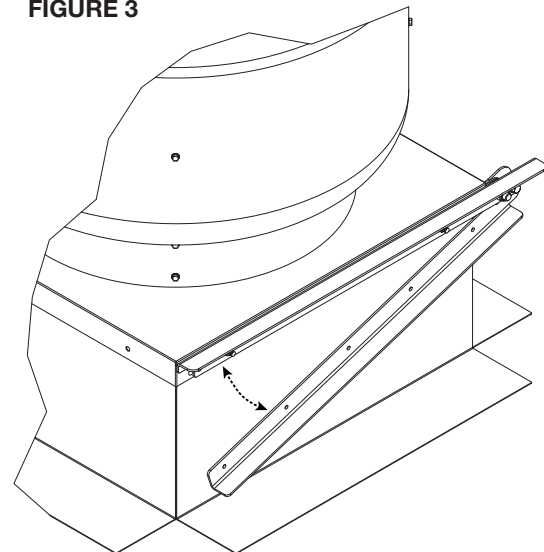


3. Attach top bracket to curb cap of fan with two 5/16 inch-18 x .75 inch weld studs and two 5/16 inch-18 nuts per bracket. Finger tighten the nuts while aligning the top face of bracket so it is flush with the top surface of the curb cap. Fully tighten nuts on upper bracket.
4. Repeat steps 2 through 3 on second side.
5. Center fan curb cap on curb. Ensure there is equal space between curb and curb cap on all sides.
6. On one side, insert a 1/2 inch-13 x 2.5 inch bolt through the upper bracket pivot hole. See Figure 3.

Place with placing an appropriate number of washers needed to close the gap between the upper and lower brackets; number of washers will vary depending on curb undersizing. See Figure 4 and Detail A.

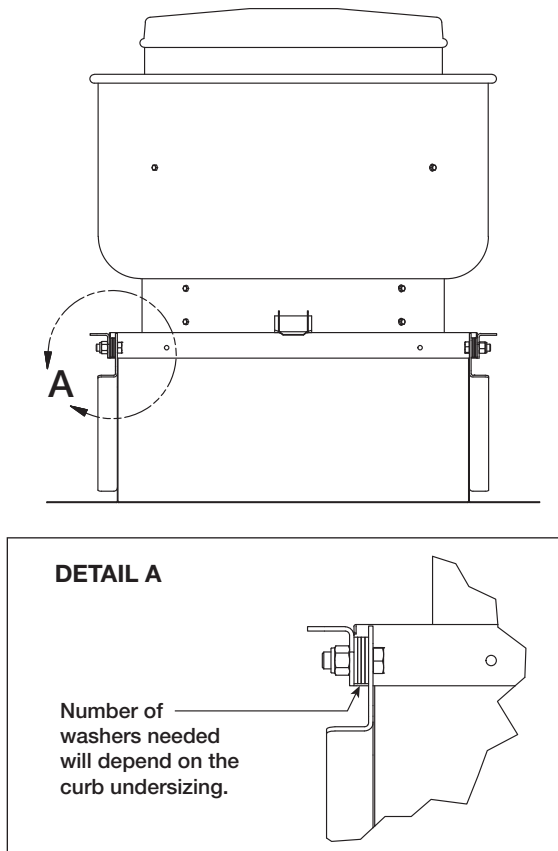
Then place the lower bracket on the bolt.

FIGURE 3



- Install the 1/2 inch-13 nylock nut on the 1/2 inch-13 x 2.5 inch bolt until finger tight. See Figure 4, and Detail A.

FIGURE 4



- Repeat steps 5 through 7 for mounting lower bracket on opposite side.
- Position the top and lower brackets parallel to one another, and mark location of mounting holes on the extended base or roof curb.
- Secure lower bracket to roof curb utilizing mounting holes. It is up to the discretion of the installer to determine the appropriate fasteners to be used for safe securement of the lower bracket.

NOTE

Depending on size of unit, the number of mounting holes, three or four, have been appropriately placed for the safe attachment of the lower bracket.

- To lock hinge in closed position, insert 3/8 inch-16 x 2.5 inch lock bolt in lock-hole position on both sides as shown in Figure 5. Apply and tighten 3/8 inch-16 nylock nuts to both lock bolts.

FIGURE 5

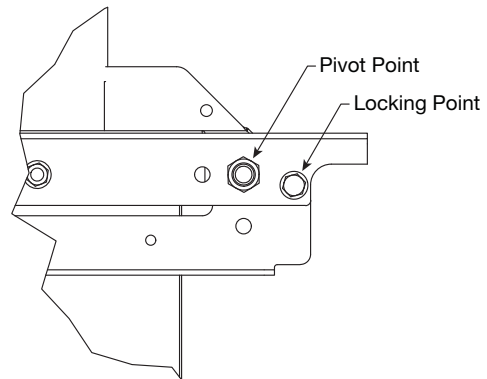
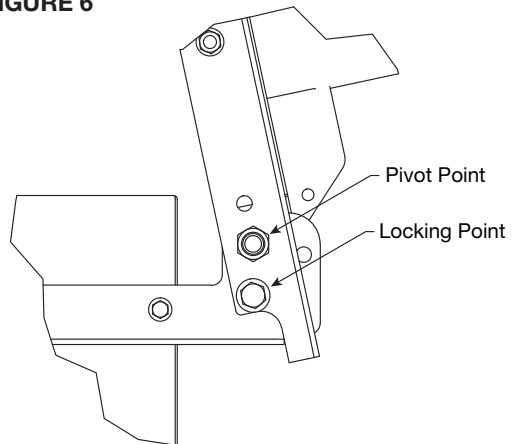
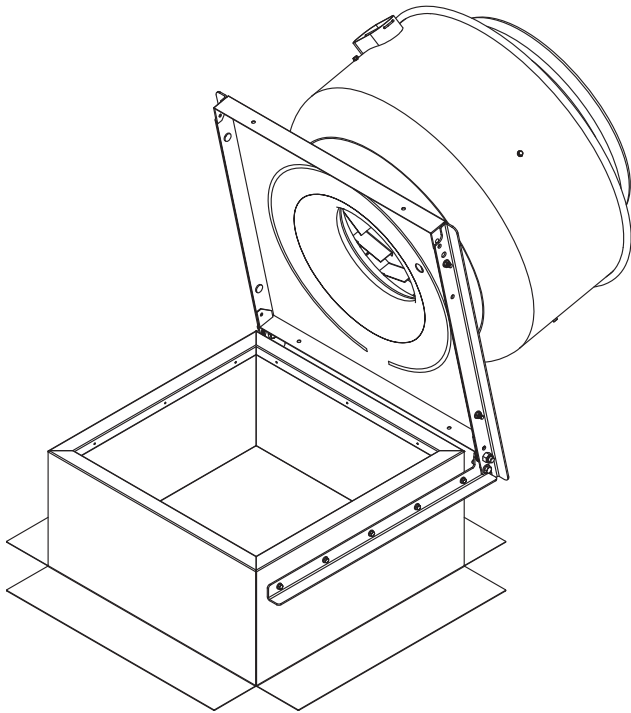


FIGURE 6



- To lock hinge in hold-open position, tip fan open until upper bracket meets lower bracket and insert 3/8 inch-16 x 2.5 lock bolt in lock-hole position on both sides for safe securement. See Figure 6.

Final assembly view with hinge in hold open position.



WARNING

When hinging fan open, lock bolts must be inserted in the lock-hole positions and secured to prevent sudden closure.

CAUTION

Forcible hinging of fan may result in damage to the fan curb cap. Take caution when hanging fan.

Our Commitment

As a result of our commitment to continuous improvement, Accurex reserves the right to change specifications without notice.

Specific Accurex product warranties are located on accurex.com within the product area tabs and in the Library under Warranties.



P.O. Box 410 Schofield, WI 54476
Phone: 800.333.1400 • Fax: 715.241.6191
Parts: 800.355.5354 • www.accurex.com